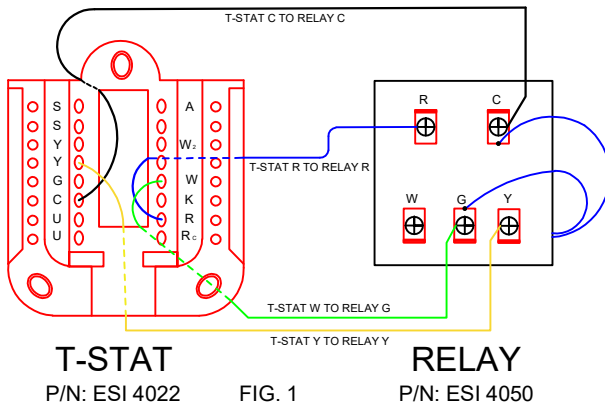


ESI WIRING GUIDE; RELAY & THERMOSTAT TO IR HEATER(S)

BY; ENERGY SALES, INC

STEP 1; CONNECT THERMOSTAT TO RELAY



T-STAT R → RELAY R → FOR POWER (24V) TO T-STAT FROM RELAY
 T-STAT C → RELAY C →
 T-STAT W → RELAY G → FOR CONTROLLING BURNER W/ T-STAT THRU RELAY
 T-STAT Y → RELAY Y →

STEP 2; CONNECT RELAY TO POWER SUPPLY AND BURNERS

TIE RELAY L1(POWER IN(BLACK WIRE)) TO THE 2 BLACK WIRES COMING OUT OF BACK OF RELAY

TIE RELAY L2(NEUTRAL(WHITE WIRE)) AND THE L2 FROM THE POWER IN ALTOGETHER INTO THE L2(WHITE WIRE) FROM THE BURNER

TIE RELAY SWITCH WIRE(RED WIRE) TO THE L1 BLACK WIRE FROM BURNER(POWER SUPPLY TO BURNER).

BROWN WIRE FROM RELAY IS NOT USED (CAP IT)

REFER TO FIG. 2

STEP 3; TEST VOLTAGE

ONCE POWER IS TURNED ON PLEASE WAIT UP TO 3 MINUTES FOR RELAY TO CLICK AND PROVIDE POWER TO BURNER

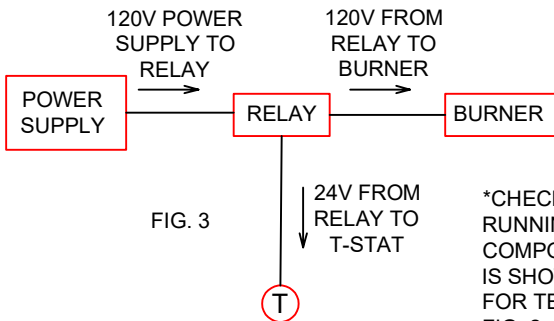


FIG. 3

*CHECK THAT THE VOLTAGE RUNNING BETWEEN THE VARIOUS COMPONENTS IS CLOSE TO WHAT IS SHOWN ABOVE (FIG. 3) FOR TESTING POINTS REFER TO FIG. 2

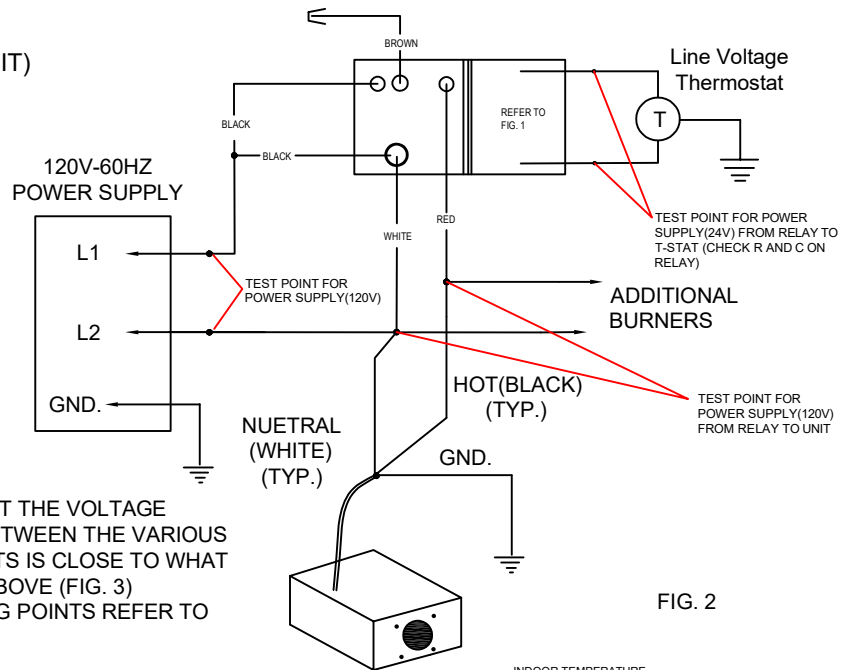


FIG. 2

STEP 4; PROGRAM T-STAT

- TURN ON. REMEMBER TO WAIT UP TO 3 MIN FOR EVERYTHING TO TURN ON.
- PRESS MENU, MAKE SURE MODE IS SET TO 'HEAT ON' AND FAN IS SET TO 'FAN AUTO'.
- HIT MENU TO EXIT OUT OF IT.
- ADJUST THERMOSTAT TO DESIRED TEMPERATURE USING THE '+' AND '-' BUTTONS NOTE; THE LARGER NUMBER BEING DISPLAYED IS YOUR CURRENT ROOM TEMP. WHILE THE SMALLER NUMBER ABOVE IS YOUR TEMP. SETPOINT
- HOLD DOWN MENU BUTTON FOR 3 SECONDS, YOU SHOULD SEE THE TOP NUMBER CHANGE TO 125 (INSTALLER SETUP OPTION NUMBER (ISU#)) ADJUST ISU#S AS SHOWN TO THE RIGHT, BY HITTING THE EDIT BUTTON, THEN NEXT TO MOVE TO NEXT ISU#, THEN HIT DONE. THESE ARE THE RECOMMENDED SETTINGS WE FIND WORK BEST.

*ANY QUESTIONS PLEASE CONTACT US AT 952-890-2966

*INSTALLER SETUP OPTIONS
 DEFAULT ISU SETTING WORK FINE

- 125 - 0
- 200 - 1
- 205 - 2
- 218 - (NOT USED)
- 220 - 0
- 221 - 1
- 230 - (NOT USED)
- 430 - (NOT USED)
- 431 - 90
- 1400 - 0
- 1420 - 0

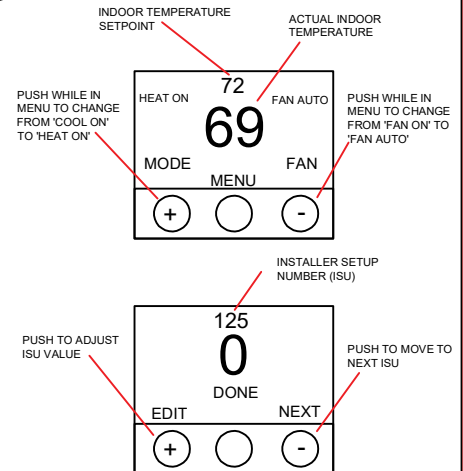


FIG. 4