

H65 EC Premium Efficiency

H-SERIES | FOR OPEN CEILINGS UP TO 65' HIGH

HVAC SYSTEMS RUN LESS

COMFORT GOES UP

OPERATING COSTS GO DOWN

REDUCED CARBON FOOTPRINT

FAST PAYBACK

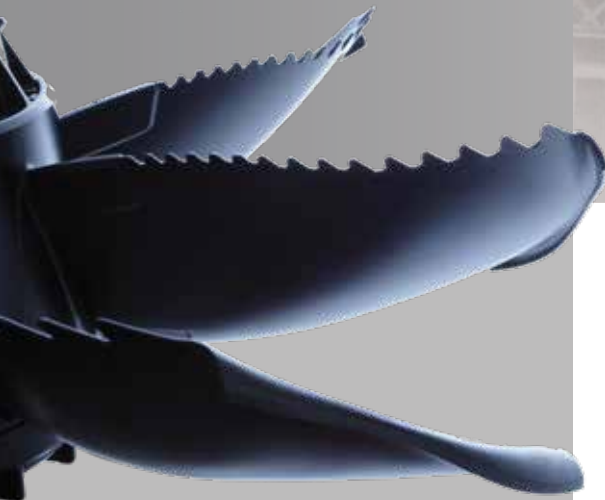


Fig 1. Innovative Blade Design



Fig 2. Multifunctional Air Guide with Aerodynamic Vanes

ZOO Fans™ energy-efficient fans create a concise column of air that gently mixes the air from ceiling-to-floor and wall-to-wall. ZOO fans destratify the air, eliminate hot and cold spots, and increase overall air circulation—**noticeably improve comfort, and save energy!**

H-Series Fans deliver proven efficiency and performance that is unmatched by other fans

- > ZOO fans are **the only destratification fans** that are **independently tested** in an industry-certified laboratory for **guaranteed performance**
- > **Variable speed controllable** to dial-in comfort, individually, or in zones
- > **Easy to control**—manually, automatically, or by a building automation system (BAS)
- > **Contributes to LEED**

*Fig 1. Serrations on the trailing edge and winglets on the end of each blade, top-and-bottom, significantly reduce turbulence. The result is a **quieter, more efficient, and more productive fan.***

*Fig 2. ZOO Fans' proprietary stator ring reduces centrifugal and angular flow, **straightens the air column, increases air speed, and significantly increases the throw.***



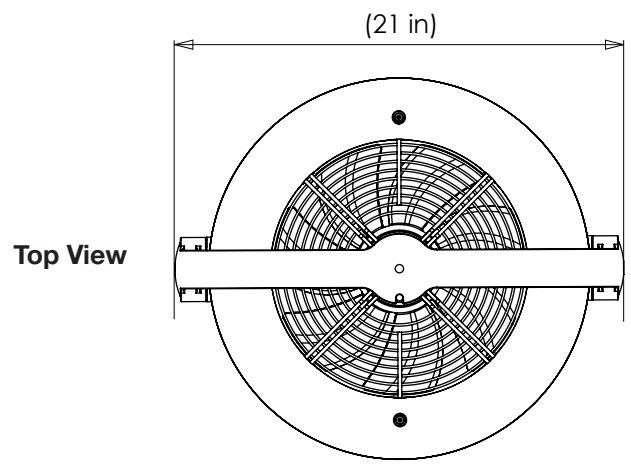
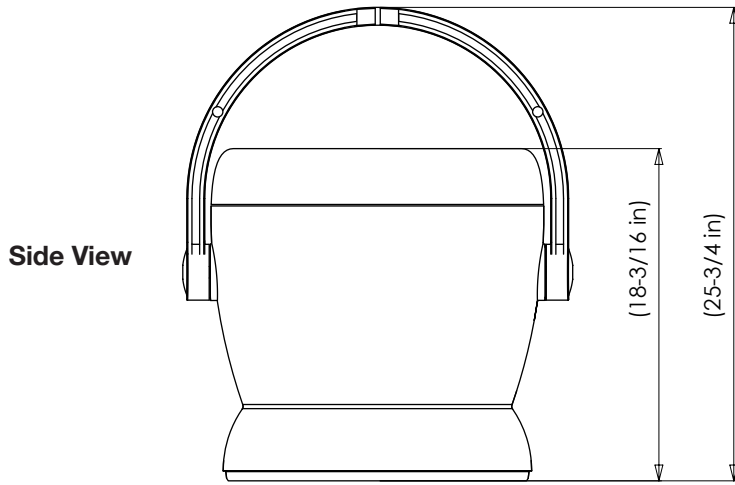
PRODUCT SPECIFICATIONS

H65 EC Premium Efficiency

H-SERIES | OPEN CEILING

DESTRATIFICATION FANS FOR CEILINGS UP TO 65' HIGH

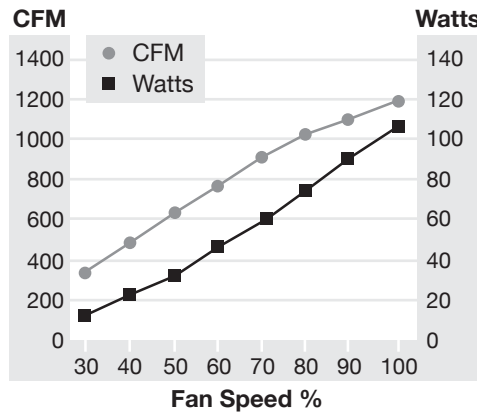
Dimensions



Specifications

Model	H65 Premium Efficiency
Volts	208-277
Hz	50/60
Watts	320
Amps	2.2
CFM	1825
Wt. (lbs.)	30

Fan Speed vs CFM and Power Usage



Sound Level Calculations

Hanging Height	dBa*
40 feet	54.3
50 feet	52.4
65 feet	50.1

*based on non-reflective area

Motor

- > Composite fan blades with patented design deliver unmatched efficiency
- > Ultra-reliable Ziehl-Abegg® motor with thermal overload protection
- > Sealed, lifetime lubricated bearings

Housing

- > Durable double-wall construction with UV treated, flame resistant plastic
- > Patented design significantly outperforms the competition
- > Intake Safety Grill is standard

Installation Hardware Included

- > 8' Cable with fast-locking Gripple® and attachment hardware
- > 12' Stabilization Tether with fast-locking Gripple and attachment hardware

Coverage

Each fan covers from 1500-3000 sq. ft., depending on the following variables:

- > Ceiling height and square footage
- > Targeted number of air-turns per hour

Options

- > Colors: Off-White or Black
- > Controllers (additional charge)

FAQs

- > How many fans for this job?
- > How far apart should the fans be installed?
- > How much will this cost?

Call for your free fan layout and quote.



Call or Click Today!

855-ZOO-FANS (855-966-3267) zoofans.com

ZOO FANS IS A TRADEMARK OF ZOO FANS INC. • ©2017 ZOO FANS INC. ALL RIGHTS RESERVED • 112117